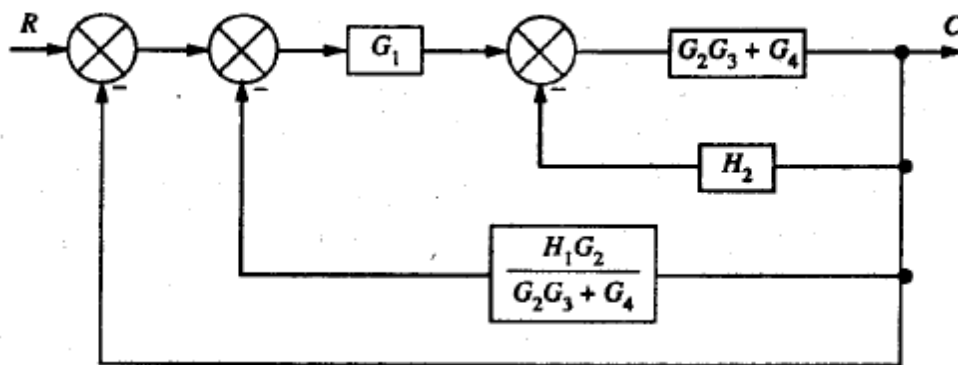
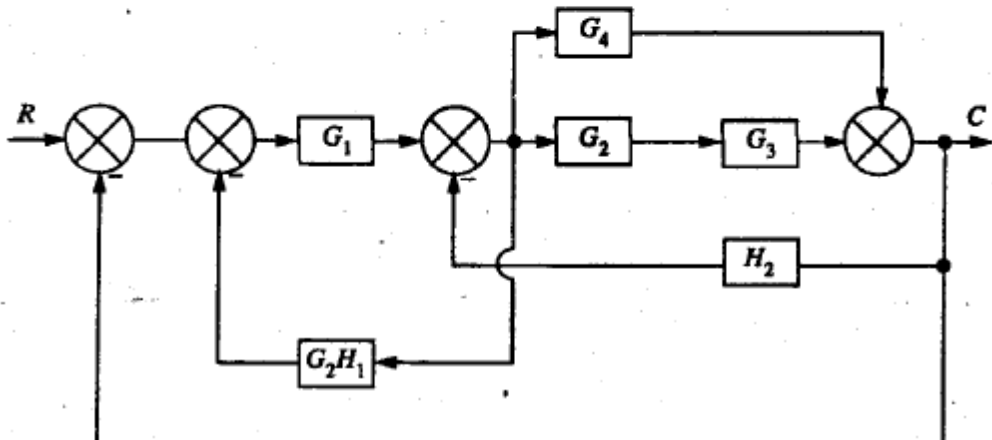
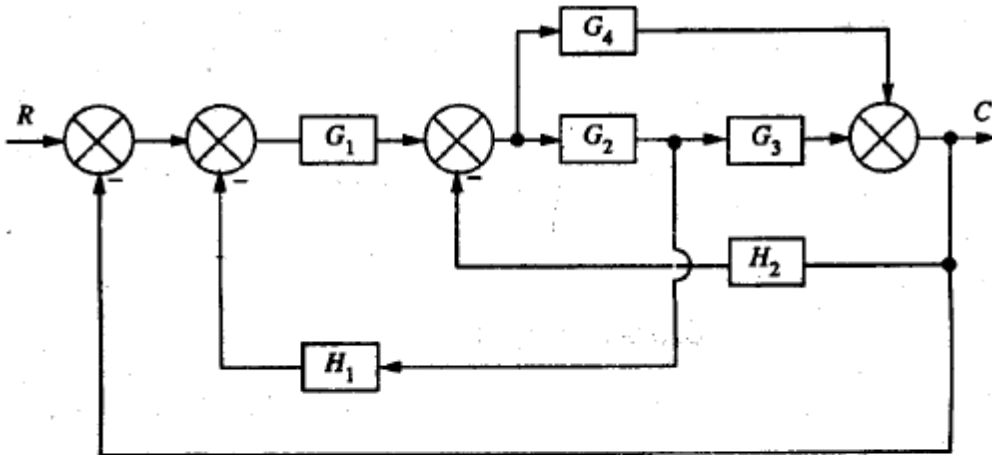


# ASSIGNMENT

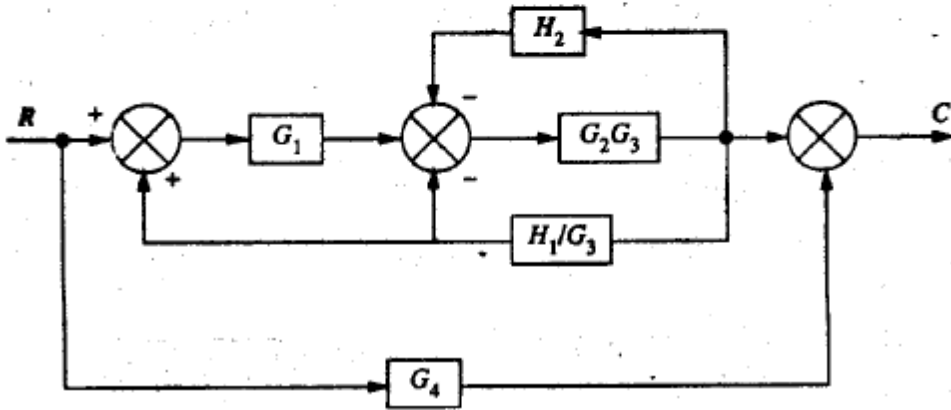
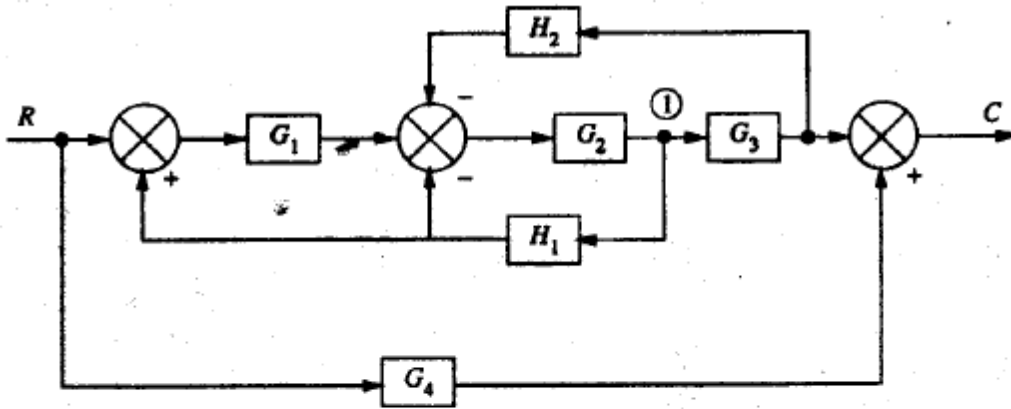
## ATTEMPT ALL QUESTIONS

a) Derive the transfer function of the system shown below. (10 Marks)



**QUESTION TWO:**

Find the transfer function of the following system: (10 Marks)



END