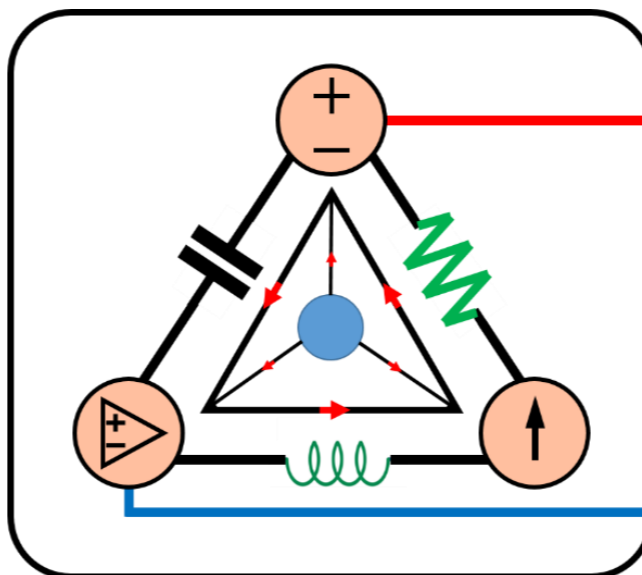


2-Mavzu: Elektr zanjiriga oid asosiy qonunlar.

(Lecture-2: Basic Laws)

2-Mavzusi bo‘ycha tekshirish uchun savollarning javobi

(Test answers of the Lecture-2)



Lecturer: Ph.D., Yusupov Sarvarbek

*Toshkent Kimyo Xalqaro Universiteti
“Mashinasozlik texnologiyasi” kafedrasida
Toshkent shahri, Usmon Nosir, 156-uy.*

TEKSHIRISH UCHUN SAVOLLAR!

2.1. Qarshilikning o'zaro ta'siri bu:

- A) kuchlanish. B) tok kuchi. C) o'tkazgich. D) kulon.

2.2. Elektr isitgich 120 V tarmoqdan 10 A tok kuchi iste'mol qiladi. Isitgichning qarshiligi bu:

- A) 1200 Ω . B) 120 Ω . C) 12 Ω . D) 1,2 Ω .

2.3. 12 A tokni iste'mol qilganda 1,5 kVt tosterda kuchlanishning tushuvi bu:

- A) 18 kV. B) 125 V. C) 120 V. D) 10,42 V.

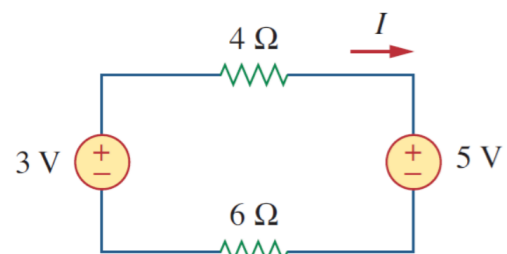
2.4. 2 Vt, 80 k Ω rezistor xavfsiz o'tkaza oladigan maksimal tok kuchi bu:

- A) 160 kA. B) 40 kA. C) 5 mA. D) 25 μ A.

2.5. Tarmoqda 12 ta tarmoq va 8 ta mustaqil halqa mavjud. Tarmoqda nechta tugun mavjud?

- A) 19. B) 17. C) 5. D) 4.

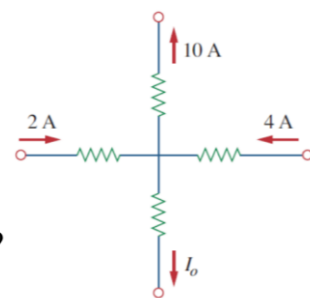
2.6. 2.34-rasmdagi zanjirda I tok kuchi aniqlang?



2.34-rasm.

- A) -0,8 A.
B) -0,2 A.
C) 0,2 A.
D) 0,8 A.

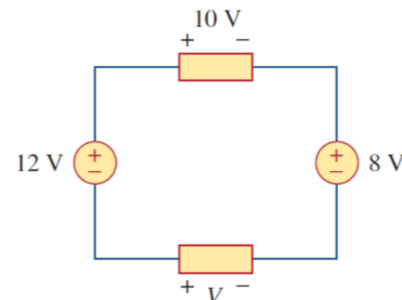
2.7. 2.35-rasmdagi zanjirda I_0 tok kuchini toping?



2.35-rasm.

- A) -4 A.
B) -2 A.
C) 4 A.
D) 16 A.

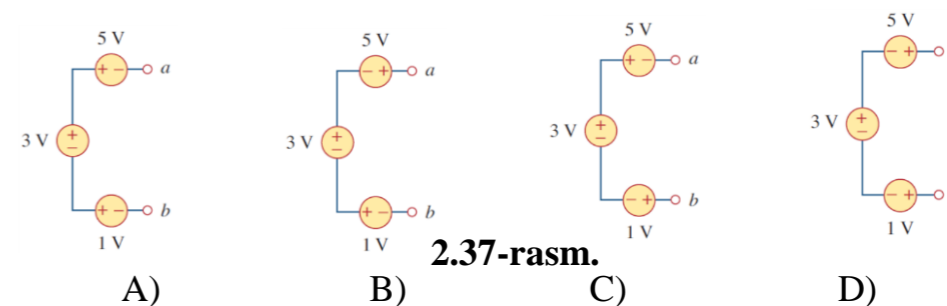
2.8. 2.36-rasmdagi zanjirda U kuchlanish qiymatini toping?



2.36-rasm.

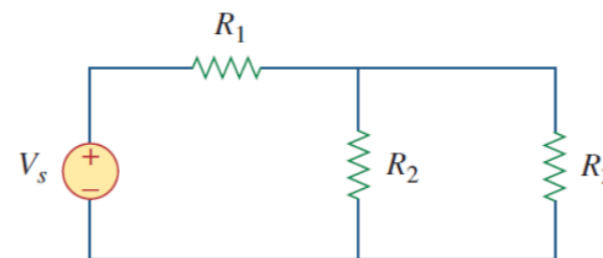
- A) 30 V.
B) 14 V.
C) 10 V.
D) 6 V.

2.9. 2.37-rasmdagi zanjirlardan qaysi biri sizga $U_{ab} = 7 V$ ni beradi?



2.37-rasm.

2.10. 2.38-rasmdagi zanjirda R_3 ning pasayishining pasayishiga olib keladi. Nuqtalar o'rniga tegishli bo'lganlarning barchasini tanlang.



2.38-rasm.

- A) R_3 dan o'tuvchi tok kuchi.
B) R_3 dagi kuchlanish.
C) R_1 dagi kuchlanish.
D) R_2 dagi quvvat sarfi.

TEST JAVOBLARI

Javoblar: 2.1c, 2.2c, 2.3b, 2.4c, 2.5c, 2.6b, 2.7a, 2.8d, 2.9d, 2.10b, d.

| Savollar | 1 | 2 | 3 | 4 | 5 | 6 | 7 | 8 | 9 | 10 |
|---|---|---|---|---|---|---|---|---|---|-----|
| Javoblar (talabaning javoblari) | | | | | | | | | | |
| To‘g‘ri javob | C | C | B | C | C | B | A | D | D | B D |
| *To‘g‘ri javobga – 1, *Noto‘g‘ri javobga – 0. $\Sigma =$ | | | | | | | | | | |

***Izoh:** Talaba to‘g‘ri va noto‘g‘ri javoblarga qo‘ygan **1** av **0** sonlarini yig‘indisini hisoblaydi. Hosil bo‘lgan qiymatni quyidagi shkala bo‘yicha solishtirib, mavzuni o‘zlashtirish darajasini bilib olishi mumkin.

Natija Qoniqarli va Qoniqarsiz chiqsa, mavzuni qayta o‘rganishi tavsiya etiladi!!!

“A‘lo”: 10-9 _____

“Yaxshi”: 7-8 _____

“Qoniqarli”: 5-6 _____

“Qoniqarsiz”: 0-4 _____